

**ASME B18.5-2012**  
(Revision of ASME B18.5-2008)

# Round Head Bolts (Inch Series)

---

ASMENORMDOC.COM : Click to view the full PDF of ASME B18.5-2012

**AN AMERICAN NATIONAL STANDARD**



The American Society of  
Mechanical Engineers

INTENTIONALLY LEFT BLANK

ASMENORMDOC.COM : Click to view the full PDF of ASME B18.5 2012

**ASME B18.5-2012**  
**(Revision of ASME B18.5-2008)**

# Round Head Bolts (Inch Series)

---

ASMENORMDOC.COM : Click to view the full PDF of ASME B18.5-2012

**AN AMERICAN NATIONAL STANDARD**



**The American Society of  
Mechanical Engineers**

Three Park Avenue • New York, NY • 10016 USA

Date of Issuance: August 13, 2012

This Standard will be revised when the Society approves the issuance of a new edition.

ASME issues written replies to inquiries concerning interpretations of technical aspects of this Standard. Periodically, certain actions of the ASME B18 Committee may be published as Cases. Cases and interpretations are published on the ASME Web site under the Committee Pages at <http://cstools.asme.org/> as they are issued.

Errata to codes and standards may be posted on the ASME Web site under the Committee Pages to provide corrections to incorrectly published items, or to correct typographical or grammatical errors in codes and standards. Such errata shall be used on the date posted.

The Committee Pages can be found at <http://cstools.asme.org/>. There is an option available to automatically receive an e-mail notification when errata are posted to a particular code or standard. This option can be found on the appropriate Committee Page after selecting "Errata" in the "Publication Information" section.

ASME is the registered trademark of The American Society of Mechanical Engineers.

This code or standard was developed under procedures accredited as meeting the criteria for American National Standards. The Standards Committee that approved the code or standard was balanced to assure that individuals from competent and concerned interests have had an opportunity to participate. The proposed code or standard was made available for public review and comment that provides an opportunity for additional public input from industry, academia, regulatory agencies, and the public-at-large.

ASME does not "approve," "rate," or "endorse" any item, construction, proprietary device, or activity.

ASME does not take any position with respect to the validity of any patent rights asserted in connection with any items mentioned in this document, and does not undertake to insure anyone utilizing a standard against liability for infringement of any applicable letters patent, nor assume any such liability. Users of a code or standard are expressly advised that determination of the validity of any such patent rights, and the risk of infringement of such rights, is entirely their own responsibility.

Participation by federal agency representative(s) or person(s) affiliated with industry is not to be interpreted as government or industry endorsement of this code or standard.

ASME accepts responsibility for only those interpretations of this document issued in accordance with the established ASME procedures and policies, which precludes the issuance of interpretations by individuals.

No part of this document may be reproduced in any form,  
in an electronic retrieval system or otherwise,  
without the prior written permission of the publisher.

The American Society of Mechanical Engineers  
Three Park Avenue, New York, NY 10016-5990

Copyright © 2012 by  
THE AMERICAN SOCIETY OF MECHANICAL ENGINEERS  
All rights reserved  
Printed in U.S.A.

# CONTENTS

Foreword .....	iv
Committee Roster .....	vi
Correspondence With the B18 Committee .....	vii
<b>1 Introductory Notes</b> .....	1
<b>2 General Data</b> .....	12
<b>Tables</b>	
1 Dimensions of Round Head Bolts .....	2
2 Dimensions of Round Head Square Neck Bolts .....	3
3 Dimensions of Round Head Short Square Neck Bolts .....	4
4 Dimensions of Round Head Ribbed Neck Bolts .....	5
5 Dimensions of Round Head Fin Neck Bolts .....	6
6 Dimensions of Step Bolts .....	7
7 Dimensions of Countersunk Bolts and Slotted Countersunk Bolts .....	8
8 Dimensions of 114-deg Countersunk Square Neck Bolts .....	9
9 Dimensions of Flat Countersunk Head Elevator Bolts .....	10
10 Dimensions of T-Head Bolts .....	11
<b>Mandatory Appendix</b>	
I Gaging Length of Square Neck .....	15

ASMENORMDOC.COM : Click to view the full PDF of ASME B18.5 2012

# FOREWORD

American National Standards Committee B18 for the standardization of bolts, screws, nuts, rivets, and similar fasteners was originated in March 1922 as Sectional Committee B18, under the aegis of the American Engineering Standards Committee [later the American Standards Association, the United States of America Standards Institute, and as of October 6, 1969, the American National Standards Institute, Inc. (ANSI)], with the Society of Automotive Engineers (SAE) and the American Society of Mechanical Engineers (ASME) as joint sponsors. Subcommittee 5 was subsequently established and charged with the responsibility for technical content of standards covering round unslotted head bolts.

The initial proposal completed by the Subcommittee in February of 1923 consisted of standards covering head dimensions for carriage, step, and round head machine bolts. Circulation of the original draft and numerous revisions thereto culminated in a document that was issued as a Tentative American Standard on February 20, 1928.

In 1934, Subcommittee 5 initiated work on a revision of the standard to bring it into line with altered consumer requirements and refinements in manufacturing technology. A proposal containing dimensional changes and additional data was duly approved and issued as a revision in 1939.

Early in 1947, Subcommittee 5 commenced to conduct an extensive review of the existing document and to expand it into a complete product standard. Over the ensuing three years, the Subcommittee developed a proposal incorporating the adoption of a shorter depth of square neck and the addition of coverage for commonly used elevator bolts and T-head bolts plus a round head short square neck bolt used extensively by the farm equipment industry in thin metals. Subsequent to acceptance by the Subcommittee, the B18 Committee, and sponsor organizations, the proposal was submitted to the American Standards Association for approval and designation as an American National Standard. This was granted on March 12, 1952.

In 1966, the Subcommittee, recognizing the need for updating the standard, undertook development of a revision. Numerous meetings and work sessions resulted in Subcommittee acceptance of a draft incorporating changes to clarify intent and overcome inconsistencies in specifications and format with related documents. Included were the redimensioning of countersunk type heads, the adoption of new tolerances on bolt length, the addition of straightness requirements, and the elimination of coverage for ribbed head type elevator bolts. Following letter ballot approval by the B18 Standards Committee and the sponsor organizations, the revision was submitted to ANSI and was designated an American National Standard on January 20, 1971.

In 1977, the Subcommittee again recognized the need for a revision. Following letter ballot approval by the B18 Standards Committee, the revision was approved by the Secretariat and ANSI on September 8, 1978.

The B18 Committee began a revision in 1984 to upgrade the standard to include information on identification symbols and to add quality assurance provisions.

In December 1986, the ASME B18 Committee agreed to combine Subcommittee 5 into Subcommittee 2, since the product lines each Subcommittee addresses are quite similar.

The B18 Committee further agreed the designation of the Subcommittee 2 and 5 documents not be changed, since this would adversely affect current reference to these Standards.

Following approval by the B18 Committee, the previous edition was approved by ANSI on December 27, 1990.

A reaffirmation of this Standard was balloted and approved by the B18 Standards Committee and B18 Subcommittee 2 on December 27, 2007.

The revision, ASME B18.5-2008, was approved by the American National Standards Institute on March 27, 2008.

The B18 Committee undertook a revision of ASME B18.5 in 2011 at the request of several parties to improve the detail to which the square necks on various bolts covered by this Standard are specified and inspected. Dimensions for square length and minimum across corner dimensions

were added and a recommended square neck gaging method was added in a mandatory appendix. Various other minor changes were made to the standard to make it compatible with recent format changes adopted for all B18 standards.

Suggestions for improvement of this Standard are welcome. They should be addressed to the Secretary, ASME B18 Standards Committee, Three Park Avenue, New York, NY 10016-5990.

This revision, ASME B18.5-2012, was approved by ANSI on July 3, 2012.

ASMENORMDOC.COM : Click to view the full PDF of ASME B18.5 2012

# ASME B18 COMMITTEE

## Standardization of Bolts, Nuts, Rivets, Screws, Washers, and Similar Fasteners

(The following is the roster of the Committee at the time of approval of this Standard.)

### STANDARDS COMMITTEE OFFICERS

**J. Greenslade**, *Chair*  
**D. S. George**, *Vice Chair*  
**W. H. King**, *Vice Chair*  
**C. J. Gomez**, *Secretary*

### STANDARDS COMMITTEE PERSONNEL

**V. Cartina**, Autocraft Industrial  
**D. A. Clever**, *Contributing Member*, Consultant  
**A. P. Cockman**, Ford Motor Co.  
**C. D. de la Garza**, TSP, Inc.  
**D. S. George**, Ramco Specialties  
**C. J. Gomez**, The American Society of Mechanical Engineers  
**J. Greenslade**, Industrial Fasteners Institute  
**J. J. Grey**, *Contributing Member*, Fastener Consulting Services, Inc.  
**A. Herskovitz**, *Contributing Member*, Consultant  
**J. Hubbard**, Leland-Powell Fasteners, Inc.  
**J. C. Jennings**, *Contributing Member*, Naval Surface Warfare Center  
**W. H. King**, Porteous Fastener Co.  
**M. D. Prasad**, *Contributing Member*, Global M & F Solutions, Inc.  
**S. Savoji**, *Contributing Member*, ITW Medalist  
**Q. M. Smith III**, Oregon DOT  
**D. J. Soscia**, General Dynamics Electric Boat Corp.  
**W. R. Stevens**, Ramco  
**R. D. Strong**, Doerken Corp.  
**S. W. Vass**, *Contributing Member*, Consultant  
**C. B. Wackrow**, MNP Corp.  
**W. K. Wilcox**, Consultant  
**C. B. Williamson**, Fastenal Co.  
**C. J. Wilson**, Consultant  
**J. G. Zeratsky**, *Contributing Member*, National Rivet and Manufacturing Co.

### SUBCOMMITTEE 2 – EXTERNALLY DRIVEN FASTENERS

**J. Greenslade**, *Chair*, Industrial Fasteners Institute  
**C. B. Williamson**, *Vice Chair*, Fastenal Co.  
**T. Anderson**, Bay Bolt  
**V. Cartina**, Autocraft Industrial  
**L. Claus**, ATF, Inc.  
**A. P. Cockman**, Ford Motor Co.  
**C. D. de la Garza**, TSP, Inc.  
**B. A. Dusina**, Federal Screw Works  
**M. A. Elmi**, Consultant  
**J. S. Foote**, Trade Association Management, Inc.  
**M. C. Friel**, Haydon Bolts, Inc.  
**D. S. George**, Ramco Specialties  
**A. Herskovitz**, Consultant  
**M. W. Holubecki**, Electric Boat Corp.  
**J. Hubbard**, Leland-Powell Fasteners, Inc.  
**J. C. Jennings**, *Contributing Member*, Naval Surface Warfare Center  
**W. H. King**, Porteous Fastener Co.  
**R. Leemans**, John Deere  
**J. F. McCarrick**, Defense Supply Center Philadelphia  
**R. B. Meade**, Atrona Material Testing Laboratories, Inc.  
**A. Savoji**, ITW Medalist  
**R. M. Serabin**, Freundlich Supply Co.  
**D. F. Sharp**, GMS Structural Engineers  
**G. M. Simpson**, Semblex Corp.  
**Q. M. Smith III**, Oregon DOT  
**D. J. Soscia**, General Dynamics Electric Boat Corp.  
**W. R. Stevens**, Ramco  
**J. J. Stoczanskyj**, Beacon Fasteners and Components, Inc.  
**R. D. Strong**, Doerken Corp.  
**R. L. Tennis**, Consultant  
**S. W. Vass**, Consultant  
**C. B. Wackrow**, MNP Corp.  
**W. K. Wilcox**, Consultant  
**C. J. Wilson**, Consultant



## CORRESPONDENCE WITH THE B18 COMMITTEE

**General.** ASME Standards are developed and maintained with the intent to represent the consensus of concerned interests. As such, users of this Standard may interact with the Committee by requesting interpretations, proposing revisions, and attending Committee meetings. Correspondence should be addressed to:

Secretary, B18 Standards Committee  
The American Society of Mechanical Engineers  
Three Park Avenue  
New York, NY 10016-5990  
<http://go.asme.org/Inquiry>

**Proposing Revisions.** Revisions are made periodically to the Standard to incorporate changes that appear necessary or desirable, as demonstrated by the experience gained from the application of the Standard. Approved revisions will be published periodically.

The Committee welcomes proposals for revisions to this Standard. Such proposals should be as specific as possible, citing the paragraph number(s), the proposed wording, and a detailed description of the reasons for the proposal, including any pertinent documentation.

**Proposing a Case.** Cases may be issued for the purpose of providing alternative rules when justified, to permit early implementation of an approved revision when the need is urgent, or to provide rules not covered by existing provisions. Cases are effective immediately upon ASME approval and shall be posted on the ASME Committee Web page.

Requests for Cases shall provide a Statement of Need and Background Information. The request should identify the standard, the paragraph, figure or table number(s), and be written as a Question and Reply in the same format as existing Cases. Requests for Cases should also indicate the applicable edition(s) of the standard to which the proposed Case applies.

**Interpretations.** Upon request, the B18 Standards Committee will render an interpretation of any requirement of the Standard. Interpretations can only be rendered in response to a written request sent to the Secretary of the B18 Standards Committee.

The request for an interpretation should be clear and unambiguous. It is further recommended that the inquirer submit his/her request in the following format:

Subject: Cite the applicable paragraph number(s) and the topic of the inquiry.  
Edition: Cite the applicable edition of the Standard for which the interpretation is being requested.  
Question: Phrase the question as a request for an interpretation of a specific requirement suitable for general understanding and use, not as a request for an approval of a proprietary design or situation. The inquirer may also include any plans or drawings that are necessary to explain the question; however, they should not contain proprietary names or information.

Requests that are not in this format may be rewritten in the appropriate format by the Committee prior to being answered, which may inadvertently change the intent of the original request.

ASME procedures provide for reconsideration of any interpretation when or if additional information that might affect an interpretation is available. Further, persons aggrieved by an interpretation may appeal to the cognizant ASME Committee or Subcommittee. ASME does not "approve," "certify," "rate," or "endorse" any item, construction, proprietary device, or activity.

**Attending Committee Meetings.** The B18 Standards Committee regularly holds meetings, which are open to the public. Persons wishing to attend any meeting should contact the Secretary of the B18 Standards Committee.

ASMENORMDOC.COM : Click to view the full PDF of ASME B18.5 2012

INTENTIONALLY LEFT BLANK

# ROUND HEAD BOLTS (INCH SERIES)

## 1 INTRODUCTORY NOTES

### 1.1 Scope

**1.1.1** This Standard covers the complete general and dimensional data for the various types of inch series bolts generally classified as round head bolts and recognized as American National Standard.

**1.1.2** The inclusion of dimensional data in this Standard is not intended to imply that all of the products described are stock production sizes. Consumers should consult with manufacturers concerning availability of products.

### 1.2 Bolt Types

The bolt types covered by this Standard are enumerated and described in paras. 1.2.1 through 1.2.10.

**1.2.1 Round Head Bolt (Formerly Designated Button Head Bolt).** The round head bolt shall have a circular head with a low rounded top surface and a flat bearing surface. Dimensions are given in Table 1.

**1.2.2 Round Head Square Neck Bolt (Formerly Designated Round Head Carriage Bolt).** The round head square neck bolt shall have a circular head with a low rounded top surface and a flat bearing surface, and an integrally formed square neck under the head. Dimensions are given in Table 2.

**1.2.3 Round Head Short Square Neck Bolt.** The round head short square neck bolt shall have a circular head with a low rounded top surface and a flat bearing surface, and an integrally formed short length square neck under the head. Dimensions are given in Table 3.

**1.2.4 Round Head Ribbed Neck Bolt (Formerly Designated Ribbed Neck Carriage Bolt).** The round head ribbed neck bolt shall have a circular head with a low rounded top surface and a flat bearing surface, and a ribbed or splined neck formed on the shank below the head. Dimensions are given in Table 4.

**1.2.5 Round Head Fin Neck Bolt (Formerly Designated Fin Neck Carriage Bolt).** The round head fin neck bolt shall have a circular head with a low rounded top surface and a flat bearing surface, and two diametrically opposite integrally formed fins at the junction of head with shank. Dimensions are given in Table 5.

**1.2.6 Step Bolt.** The step bolt shall have a large circular head with a low rounded top surface and a flat

bearing surface, and an integrally formed square neck under the head. Dimensions are given in Table 6.

### 1.2.7 Countersunk and Slotted Countersunk Bolts.

The countersunk bolt shall have a circular head with a flat top surface and a conical bearing surface having a head angle of approximately 80 deg. Countersunk bolts are available with and without a slot in the head, as specified by the purchaser. Dimensions are given in Table 7.

### 1.2.8 114-deg Countersunk Square Neck Bolt (Formerly Designated Countersunk Carriage Bolt).

The 114-deg countersunk square neck bolt shall have a circular head with a flat top surface and a conical bearing surface having a head angle of approximately 114 deg, and an integrally formed square neck under the head. Dimensions are given in Table 8.

**1.2.9 Flat Countersunk Head Elevator Bolt.** The flat countersunk head elevator bolt shall have a large circular head with a flat top surface and a shallow conical bearing surface, and an integrally formed square neck under the head. Dimensions are given in Table 9.

**1.2.10 T-Head Bolt.** The T-head bolt shall have a rectangular head with a rounded top surface and a flat bearing surface. Dimensions are given in Table 10.

### 1.3 Terminology

For definitions of terms relating to fasteners or component features thereof used in this Standard, refer to ASME B18.12.

### 1.4 Dimensions

All dimensions in this Standard are given in inches, unless otherwise stated.

### 1.5 Designation

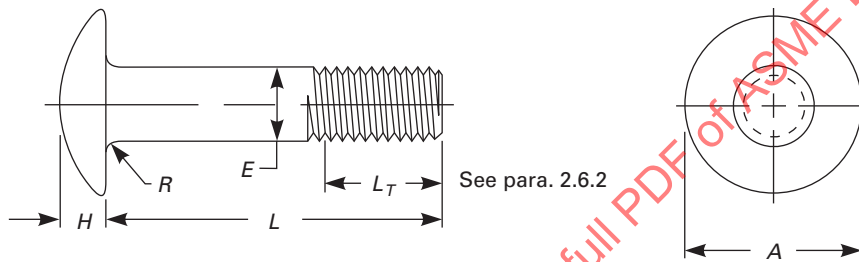
Round head bolts are designated by the following data, preferably in the sequence shown:

- (a) product name and designation of the standard
- (b) nominal diameter, threads per inch, and nominal length
- (c) material grade or identification, and protective coating, if required

#### EXAMPLES:

- (1) Round head short square neck bolt ASME B18.5,  $\frac{3}{8}$ -16  $\times$  3, steel ASTM A307, Grade A, zinc plated ASTM F1941, Fe/Zn 3A.
- (2) Step bolt ASME B18.5,  $\frac{1}{2}$ -13  $\times$  4, stainless steel, ASTM F593 alloy group 1.

**Table 1 Dimensions of Round Head Bolts**

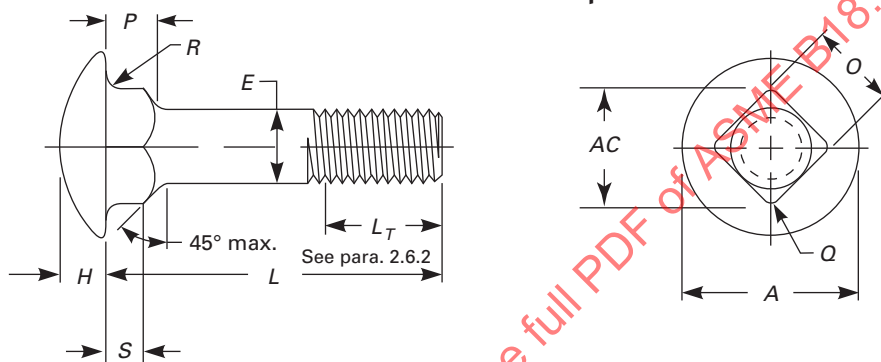


Nominal Size or Basic Bolt Diameter		Body Diameter, $E$		Head Diameter, $A$		Head Height, $H$		Maximum Fillet Radius, $R$ [Note (1)]
		Max.	Min.	Max.	Min.	Max.	Min.	
No. 10	0.1900	0.199	0.182	0.469	0.438	0.114	0.094	0.031
$\frac{1}{4}$	0.2500	0.260	0.237	0.594	0.563	0.145	0.125	0.031
$\frac{5}{16}$	0.3125	0.324	0.298	0.719	0.688	0.176	0.156	0.031
$\frac{3}{8}$	0.3750	0.388	0.360	0.844	0.782	0.208	0.188	0.031
$\frac{7}{16}$	0.4375	0.452	0.421	0.969	0.907	0.239	0.219	0.031
$\frac{1}{2}$	0.5000	0.515	0.483	1.094	1.032	0.270	0.250	0.031
$\frac{5}{8}$	0.6250	0.642	0.605	1.344	1.219	0.344	0.313	0.062
$\frac{3}{4}$	0.7500	0.768	0.729	1.594	1.469	0.406	0.375	0.062
$\frac{7}{8}$	0.8750	0.895	0.852	1.844	1.719	0.469	0.438	0.062
1	1.0000	1.022	0.976	2.094	1.969	0.531	0.500	0.062

NOTE:

(1) The minimum radius is one-half of the value shown.

**Table 2 Dimensions of Round Head Square Neck Bolts**

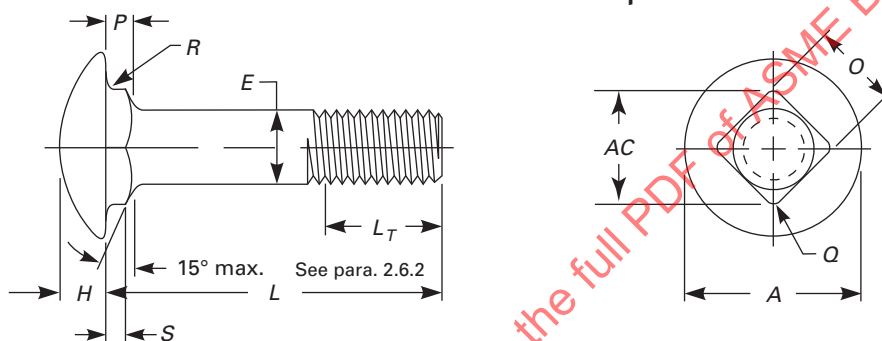


Nominal Size or Basic Bolt Diameter	Body Diameter, <i>E</i>		Head Diameter, <i>A</i>		Head Height, <i>H</i>		Square Width, <i>D</i>		Minimum Square Across Corners, <i>AC</i>	Square Depth, <i>P</i>		Minimum Square Corner Height, <i>S</i>	Maximum Corner Radius on Square, <i>Q</i>	Maximum Fillet Radius, <i>R</i> [Note (1)]	
	Max.	Min.	Max.	Min.	Max.	Min.	Max.	Min.		Max.	Min.				
No. 10	0.1900	0.199	0.159	0.469	0.436	0.114	0.094	0.199	0.185	0.236	0.125	0.094	0.069	0.031	0.031
1/4	0.2500	0.260	0.213	0.594	0.563	0.145	0.125	0.260	0.245	0.321	0.156	0.125	0.087	0.031	0.031
5/16	0.3125	0.324	0.272	0.719	0.688	0.176	0.156	0.324	0.307	0.408	0.187	0.156	0.105	0.031	0.031
3/8	0.3750	0.388	0.329	0.844	0.782	0.208	0.188	0.388	0.368	0.481	0.219	0.188	0.131	0.047	0.031
7/16	0.4375	0.452	0.385	0.969	0.907	0.239	0.219	0.452	0.431	0.571	0.250	0.219	0.149	0.047	0.031
1/2	0.5000	0.515	0.444	1.094	1.032	0.270	0.250	0.515	0.492	0.657	0.281	0.250	0.168	0.047	0.031
5/8	0.6250	0.642	0.559	1.344	1.219	0.344	0.313	0.642	0.616	0.807	0.344	0.313	0.218	0.078	0.062
3/4	0.7500	0.768	0.678	1.594	1.469	0.406	0.375	0.768	0.741	0.983	0.406	0.375	0.254	0.078	0.062
7/8	0.8750	0.895	0.795	1.844	1.719	0.459	0.438	0.895	0.865	1.145	0.469	0.438	0.298	0.094	0.062
1	1.0000	1.022	0.910	2.094	1.969	0.531	0.500	1.022	0.990	1.322	0.531	0.500	0.334	0.094	0.062

NOTE:

(1) The minimum radius is one-half of the value shown.

Table 3 Dimensions of Round Head Short Square Neck Bolts

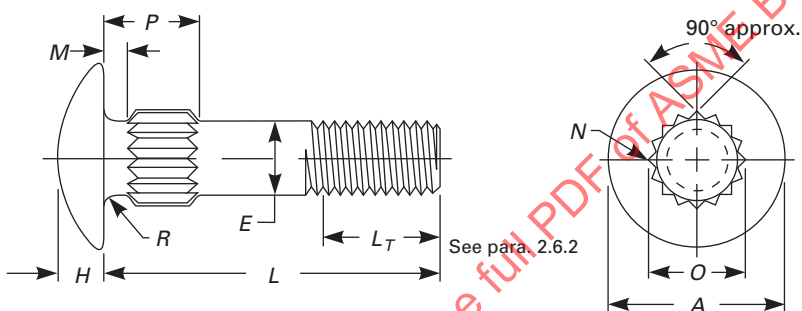


Nominal Size or Basic Bolt Diameter	Body Diameter, E		Head Diameter, A		Head Height, H		Square Width, Q		Minimum Square Across Corners, AC	Square Depth, P		Minimum Square Corner Height, S	Maximum Corner Radius on Square, Q	Maximum Fillet Radius, R [Note (1)]	
	Max.	Min.	Max.	Min.	Max.	Min.	Max.	Min.		Max.	Min.				
$\frac{1}{4}$	0.2500	0.260	0.213	0.594	0.563	0.145	0.125	0.260	0.245	0.321	0.124	0.093	0.055	0.031	0.031
$\frac{5}{16}$	0.3125	0.324	0.272	0.719	0.688	0.176	0.156	0.324	0.307	0.408	0.124	0.093	0.042	0.031	0.031
$\frac{3}{8}$	0.3750	0.388	0.329	0.844	0.782	0.208	0.188	0.388	0.368	0.481	0.156	0.125	0.068	0.047	0.031
$\frac{7}{16}$	0.4375	0.452	0.385	0.969	0.907	0.239	0.219	0.452	0.431	0.571	0.156	0.125	0.055	0.047	0.031
$\frac{1}{2}$	0.5000	0.515	0.444	1.094	1.032	0.270	0.250	0.515	0.492	0.657	0.156	0.125	0.043	0.047	0.031
$\frac{5}{8}$	0.6250	0.642	0.559	1.344	1.219	0.344	0.313	0.642	0.616	0.807	0.218	0.187	0.092	0.078	0.062
$\frac{3}{4}$	0.7500	0.768	0.678	1.594	1.469	0.406	0.375	0.768	0.741	0.983	0.218	0.187	0.066	0.078	0.062

## NOTE:

(1) The minimum radius is one-half of the value shown.

**Table 4 Dimensions of Round Head Ribbed Neck Bolts**

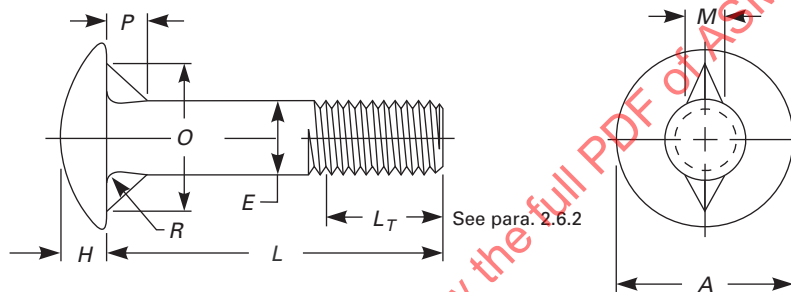


Nominal Size or Basic Bolt Diameter	Body Diameter, <i>E</i> Max. Min.		Head Diameter, <i>A</i> Max. Min.		Head Height, <i>H</i> Max. Min.		Maximum Head-to-Rib Length, <i>M</i> ≤ 7/8 in. ≥ 1 in.		Approx. Number of Ribs, <i>N</i>	Minimum Diameter Over Ribs, <i>O</i>	Length of Depth Over Ribs, <i>P</i>			Maximum Fillet Radius, <i>R</i> [Note (1)]	
											≤ 7/8 in. ±0.031	1 in. and 1 1/8 in. ±0.031	≥ 1 1/4 in. ±0.031		
No. 10	0.1900	0.199	0.182	0.469	0.438	0.114	0.094	0.062	0.094	9	0.210	0.250	0.407	0.594	0.031
1/4	0.2500	0.260	0.237	0.594	0.563	0.145	0.125	0.062	0.094	10	0.274	0.250	0.407	0.594	0.031
5/16	0.3125	0.324	0.298	0.719	0.688	0.176	0.156	0.062	0.094	12	0.340	0.250	0.407	0.594	0.031
3/8	0.3750	0.388	0.360	0.844	0.782	0.208	0.188	0.062	0.094	12	0.405	0.250	0.407	0.594	0.031
7/16	0.4375	0.452	0.421	0.969	0.907	0.239	0.219	0.062	0.094	14	0.470	0.250	0.407	0.594	0.031
1/2	0.5000	0.515	0.483	1.094	1.032	0.270	0.250	0.062	0.094	16	0.534	0.250	0.407	0.594	0.031
5/8	0.6250	0.642	0.605	1.344	1.219	0.344	0.313	0.125	0.125	19	0.660	0.313	0.438	0.625	0.062
3/4	0.7500	0.768	0.729	1.594	1.469	0.406	0.375	0.125	0.125	22	0.785	0.313	0.438	0.625	0.062

NOTE:

(1) The minimum radius is one-half of the value shown.

**Table 5 Dimensions of Round Head Fin Neck Bolts**



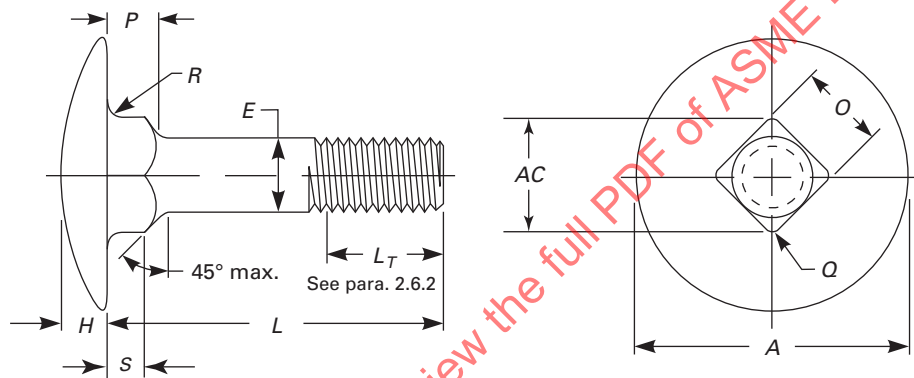
Nominal Size or Basic Bolt Diameter	Body Diameter, $E$		Head Diameter, $A$		Head Height, $H$		Fin Thickness, $M$		Distance Across Fins, $O$		Fin Depth, $P$		Maximum Fillet Radius, $R$ [Note (1)]	
	Max.	Min.	Max.	Min.	Max.	Min.	Max.	Min.	Max.	Min.	Max.	Min.		
No. 10	0.1900	0.199	0.182	0.469	0.438	0.114	0.094	0.098	0.078	0.395	0.375	0.088	0.076	0.031
$\frac{1}{4}$	0.2500	0.260	0.237	0.594	0.563	0.145	0.125	0.114	0.094	0.458	0.438	0.104	0.094	0.031
$\frac{5}{16}$	0.3125	0.324	0.298	0.719	0.688	0.176	0.156	0.145	0.125	0.551	0.531	0.135	0.125	0.031
$\frac{3}{8}$	0.3750	0.388	0.360	0.844	0.782	0.208	0.188	0.161	0.141	0.645	0.625	0.151	0.141	0.031
$\frac{7}{16}$	0.4375	0.452	0.421	0.969	0.907	0.239	0.219	0.192	0.172	0.739	0.719	0.182	0.172	0.031
$\frac{1}{2}$	0.5000	0.515	0.483	1.094	1.032	0.270	0.250	0.208	0.188	0.833	0.813	0.198	0.188	0.031

NOTE:

(1) The minimum radius is one-half of the value shown.



Table 6 Dimensions of Step Bolts

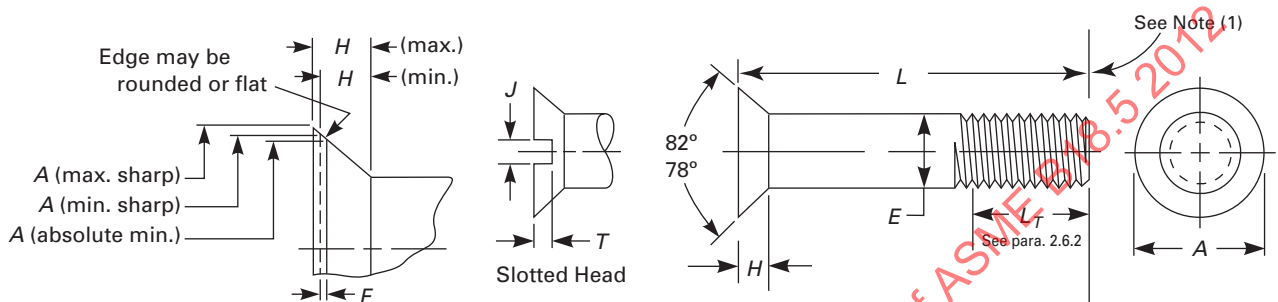


Nominal Size or Basic Bolt Diameter	Body Diameter, <i>E</i>		Head Diameter, <i>A</i>		Head Height, <i>H</i>		Square Width, <i>O</i>		Minimum Square Across Corners, <i>AC</i>	Square Depth, <i>P</i>		Minimum Square Corner Height, <i>S</i>	Maximum Corner Radius on Square, <i>Q</i>	Maximum Fillet Radius, <i>R</i> [Note (1)]	
	Max.	Min.	Max.	Min.	Max.	Min.	Max.	Min.		Max.	Min.				
No. 10	0.1900	0.199	0.182	0.656	0.625	0.114	0.094	0.199	0.185	0.236	0.125	0.094	0.069	0.031	0.031
1/4	0.2500	0.260	0.237	0.844	0.813	0.145	0.125	0.260	0.245	0.321	0.156	0.125	0.087	0.031	0.031
5/16	0.3125	0.324	0.298	1.031	1.000	0.176	0.156	0.324	0.307	0.408	0.187	0.156	0.105	0.031	0.031
3/8	0.3750	0.388	0.360	1.219	1.188	0.208	0.188	0.388	0.368	0.481	0.219	0.188	0.131	0.047	0.031
7/16	0.4375	0.452	0.421	1.406	1.375	0.239	0.219	0.452	0.431	0.571	0.250	0.219	0.149	0.047	0.031
1/2	0.5000	0.515	0.483	1.594	1.563	0.270	0.250	0.515	0.492	0.657	0.281	0.250	0.168	0.047	0.031

NOTE:

(1) The minimum radius is one-half of the value shown.

**Table 7 Dimensions of Countersunk Bolts and Slotted Countersunk Bolts**

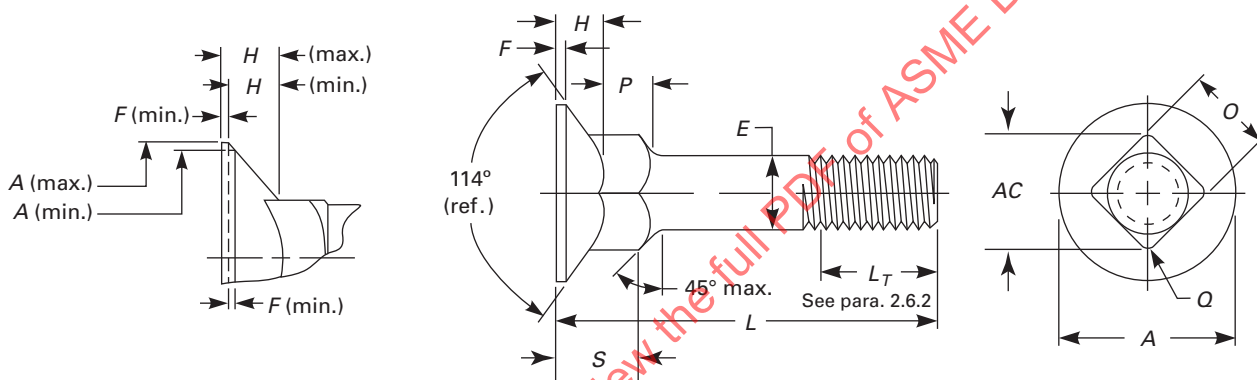


Nominal Size or Basic Bolt Diameter	Body Diameter, E		Head Diameter, A [Note (2)]				Maximum Flat on Min. Dia. Head, F [Note (5)]	Head Height, H		Slot Width, J [Note (2)]		Slot Depth, T [Note (2)]	
			Maximum Edge Sharp [Note (3)]	Minimum Edge Sharp [Note (4)]	Absolute Min. Edge Rounded or Flat	Max.		Min.	Max.	Min.	Max.	Min.	
	Max.	Min.											
1/4	0.2500	0.260	0.237	0.493	0.477	0.445	0.018	0.150	0.131	0.075	0.064	0.068	0.045
5/16	0.3125	0.324	0.298	0.618	0.598	0.558	0.023	0.189	0.164	0.084	0.072	0.086	0.057
3/8	0.3750	0.388	0.360	0.740	0.715	0.668	0.027	0.225	0.196	0.094	0.081	0.103	0.068
7/16	0.4375	0.452	0.421	0.803	0.778	0.726	0.030	0.226	0.196	0.094	0.081	0.103	0.068
1/2	0.5000	0.515	0.483	0.935	0.905	0.845	0.035	0.269	0.233	0.106	0.091	0.103	0.068
5/8	0.6250	0.642	0.605	1.169	1.132	1.066	0.038	0.336	0.292	0.133	0.116	0.137	0.091
3/4	0.7500	0.768	0.729	1.402	1.357	1.285	0.041	0.403	0.349	0.149	0.131	0.171	0.115
7/8	0.8750	0.895	0.852	1.637	1.584	1.511	0.042	0.470	0.408	0.167	0.147	0.206	0.138
1	1.0000	1.022	0.976	1.869	1.810	1.735	0.043	0.537	0.466	0.188	0.166	0.240	0.162
1 1/8	1.1250	1.149	1.098	2.104	2.037	1.962	0.043	0.604	0.525	0.196	0.178	0.257	0.173
1 1/4	1.2500	1.277	1.223	2.337	2.262	2.187	0.043	0.671	0.582	0.211	0.193	0.291	0.197
1 3/8	1.3750	1.404	1.345	2.571	2.489	2.414	0.043	0.738	0.641	0.226	0.208	0.326	0.220
1 1/2	1.5000	1.531	1.470	2.804	2.715	2.640	0.043	0.805	0.698	0.258	0.240	0.360	0.244

**NOTES:**

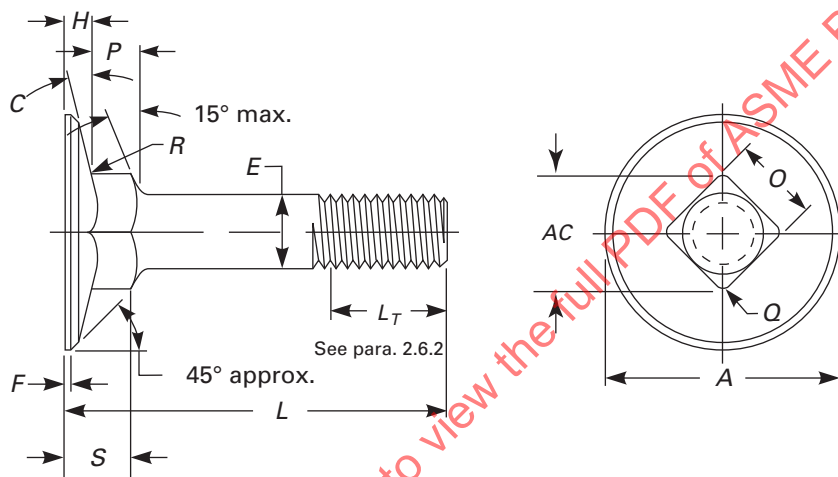
- (1) The length dimension, L, as shown in the illustration above, extending from the top of the head to the end of the part, is correct. This line was accidentally drawn wrong in the 1998 revision showing the length as extending from the bottom of the head to the end of the part.
- (2) Head shall be unslotted, unless otherwise specified. Slot dimensions are same as slotted flat countersunk head cap screws in American National Standard, ASME B18.6.2.
- (3) Maximum head height calculated on maximum sharp head diameter, basic bolt diameter, and 78-deg head angle.
- (4) Minimum head height calculated on minimum sharp head diameter, basic bolt diameter, and 82-deg head angle.
- (5) Flat on minimum diameter head calculated on minimum sharp and absolute minimum head diameters and 82-deg head angle.

**Table 8 Dimensions of 114-deg Countersunk Square Neck Bolts**



Nominal Size or Basic Bolt Diameter	Body Diameter, <i>E</i>		Head Diameter, <i>A</i>		Minimum Flat on Head, <i>F</i>	Head Height, <i>H</i>		Square Width, <i>O</i>		Minimum Square Across Corners, <i>AC</i>	Square Depth, <i>P</i>		Minimum Square Corner Height, <i>S</i>	Maximum Corner Radius on Square, <i>Q</i>	
	Max.	Min.	Max.	Min.		Max.	Min.	Max.	Min.		Max.	Min.			
No. 10	0.1900	0.199	0.182	0.548	0.500	0.015	0.131	0.112	0.199	0.185	0.236	0.125	0.094	0.181	0.031
1/4	0.2500	0.260	0.237	0.682	0.625	0.018	0.154	0.135	0.260	0.245	0.321	0.156	0.125	0.222	0.031
5/16	0.3125	0.324	0.298	0.821	0.750	0.023	0.184	0.159	0.324	0.307	0.408	0.219	0.188	0.296	0.031
3/8	0.3750	0.388	0.360	0.960	0.875	0.027	0.212	0.183	0.388	0.368	0.481	0.250	0.219	0.345	0.047
7/16	0.4375	0.452	0.421	1.093	1.000	0.030	0.235	0.205	0.452	0.431	0.571	0.281	0.250	0.385	0.047
1/2	0.5000	0.515	0.483	1.233	1.125	0.035	0.265	0.229	0.515	0.492	0.657	0.312	0.281	0.428	0.047
5/8	0.6250	0.642	0.605	1.495	1.375	0.038	0.316	0.272	0.642	0.616	0.807	0.406	0.375	0.552	0.078
3/4	0.7500	0.768	0.729	1.754	1.625	0.041	0.368	0.314	0.768	0.741	0.983	0.500	0.469	0.662	0.078

**Table 9 Dimensions of Flat Countersunk Head Elevator Bolts**

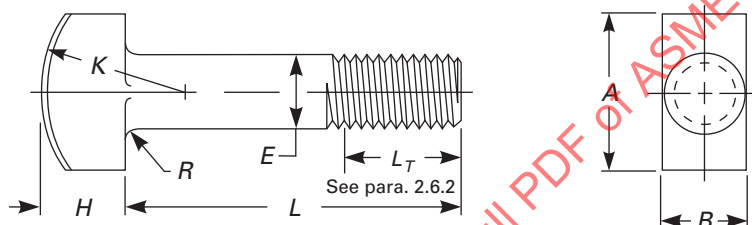


Nominal Size or Basic Bolt Diameter	Body Diameter, E		Head Diameter, A			Head Angle, C Ref.	Maximum Flat on Head, F		Head Height, H		Square Width, O		Minimum Square Across Corners, AC		Square Depth, P		Minimum Square Corner Height, S	Maximum Corner Radius on Square, Q	Maximum Fillet Radius, R [Note (1)]
	Max.	Min.	Max. Edge Sharp	Min. Edge Sharp	Min. Edge Flat		Max.	Min.	Max.	Min.	Max.	Min.	Max.	Min.					
No. 10	0.1900	0.199	0.182	0.790	0.750	0.740	9	0.025	0.082	0.062	0.210	0.185	0.236	0.125	0.094	0.131	0.031	0.031	
1/4	0.2500	0.260	0.237	1.008	0.969	0.938	9	0.035	0.098	0.078	0.280	0.245	0.321	0.219	0.188	0.228	0.031	0.031	
5/16	0.3125	0.324	0.298	1.227	1.188	1.157	9	0.035	0.114	0.094	0.342	0.307	0.408	0.250	0.219	0.262	0.031	0.031	
3/8	0.3750	0.388	0.360	1.352	1.312	1.272	11	0.040	0.145	0.125	0.405	0.368	0.481	0.250	0.219	0.287	0.047	0.031	
7/16	0.4375	0.452	0.421	1.477	1.438	1.397	13	0.040	0.176	0.156	0.468	0.431	0.571	0.281	0.250	0.336	0.047	0.031	
1/2	0.5000	0.515	0.483	1.602	1.562	1.522	12	0.040	0.176	0.156	0.530	0.492	0.657	0.281	0.250	0.324	0.047	0.031	

NOTE:

(1) The minimum radius is one-half of the value shown.

**Table 10 Dimensions of T-Head Bolts**



Nominal Size or Basic Bolt Diameter		Body Diameter, <i>E</i>		Head Length, <i>A</i>		Head Width, <i>B</i>		Head Height, <i>H</i>		Basic Head Radius, <i>K</i>	Maximum Fillet Radius, <i>R</i> [Note (1)]
		Max.	Min.	Max.	Min.	Max.	Min.	Max.	Min.		
1/4	0.2500	0.260	0.237	0.500	0.488	0.280	0.245	0.204	0.172	0.438	0.031
5/16	0.3125	0.324	0.298	0.625	0.609	0.342	0.307	0.267	0.233	0.500	0.031
3/8	0.3750	0.388	0.360	0.750	0.731	0.405	0.368	0.331	0.295	0.625	0.031
7/16	0.4375	0.452	0.421	0.875	0.853	0.468	0.431	0.394	0.356	0.875	0.031
1/2	0.5000	0.515	0.483	1.000	0.975	0.530	0.492	0.458	0.418	0.875	0.031
5/8	0.6250	0.642	0.605	1.250	1.218	0.675	0.616	0.585	0.541	1.062	0.062
3/4	0.7500	0.768	0.729	1.500	1.462	0.800	0.741	0.649	0.601	1.250	0.062
7/8	0.8750	0.895	0.852	1.750	1.706	0.938	0.865	0.776	0.724	1.375	0.062
1	1.0000	1.022	0.976	2.000	1.950	1.063	0.990	0.903	0.847	1.500	0.062

NOTE:

(1) The minimum radius is one-half of the value shown.

## 1.6 Referenced Standards

The following is a list of publications referenced in this Standard. Unless otherwise specified, the standards referenced shall be the most recent issue at the time of order placement.

ASME B1.1, Unified Inch Screw Threads (UN and UNR Thread Form)

ASME B1.3, Screw Thread Gaging Systems for Acceptability — Inch and Metric Screw Threads (UN, UNR, UNJ, M, and MJ)

ASME B18.2.9, Straightness Gage and Gaging for Bolts and Screws

ASME B18.6.2, Slotted Head Cap Screws, Square Head Set Screws, and Slotted Headless Set Screws

ASME B18.12, Glossary of Terms for Mechanical Fasteners

ASME B18.18, Quality Assurance for Fasteners

Publisher: The American Society of Mechanical Engineers (ASME), Three Park Avenue, New York, NY 10016-5990; Order Department: 22 Law Drive, P.O. Box 2900, Fairfield, NJ 07007-2900 (www.asme.org)

ASTM A307, Carbon Steel Bolts and Studs, 60,000 PSI Tensile Strength

ASTM F468, Nonferrous Bolts, Hex Cap Screws, and Studs for General Use

ASTM F593, Stainless Steel Bolts, Hex Cap Screws, and Studs

ASTM F788/F788M, Surface Discontinuities of Bolts, Screws, and Studs, Inch and Metric Series

Publisher: American Society for Testing and Materials (ASTM International), 100 Barr Harbor Drive, P.O. Box C700, West Conshohocken, PA 19428-2959 (www.astm.org)

SAE J429, Mechanical and Material Requirements for Externally Threaded Fasteners

Publisher: Society of Automotive Engineers (SAE International), 400 Commonwealth Drive, Warrendale, PA 15096-0001 (www.sae.org)

## 2 GENERAL DATA

### 2.1 Heads

**2.1.1 Height of Head.** The height of head shall be measured, parallel to the axis of bolt, from the top of the head to the bearing surface for flat bearing surface type heads, and from the top of the head to the point of intersection of the conical bearing surface of the head with the flat of square neck or the body diameter, whichever is applicable for countersunk heads.

**2.1.2 Head Periphery.** Because the heads on these products normally are not machined or trimmed, the circumference may be somewhat irregular and the edge may be rounded or flat.

**2.1.3 Underhead Fillets.** All bolts having flat bearing surface type heads shall have a definite fillet at the junction of head and shank. The minimum radius of fillet shall be equal to one-half of the maximum values specified in the respective dimensional tables. The radius of fillet shall not exceed the values specified in the respective dimensional tables except for bolts produced from nonferrous and corrosion-resistant materials, on which maximum fillets shall be subject to agreement between manufacturer and purchaser.

### 2.2 Square Neck

**2.2.1 Depth of Square.** The depth of square shall be measured, parallel to the axis of bolt at the midpoint of the flats of square, from the bottom of square to the bearing surface for bolts having flat bearing surface type heads, and to the intersection of flats of square with the conical bearing surface for bolts having countersunk heads.

**2.2.2 Corners of Square.** The corners of square neck may be rounded to the extent specified in the respective dimensional tables and need not be filled out for the total depth of square.

**2.2.3 Corner Height.** The corner height of the square shall be measured, parallel to the axis of bolt from the point where the across corners is at its minimum size to the bearing surface of bolts having flat bearing surface type heads, and to the top of the heads of bolts having countersunk heads. The gage and gaging practice for this measurement is in Mandatory Appendix I.

### 2.3 Body Diameter

**2.3.1 Full Diameter Body.** Unless otherwise specified, all bolts covered by this Standard, except round head square neck bolts and round head short square neck bolts, shall be furnished with full diameter body of limits given in the dimensional tables.

**2.3.2 Round Head Square Neck and Round Head Short Square Neck Bolt Diameter Body.** Unless otherwise specified, round head square neck bolts and round head short square neck bolts shall be furnished with a body diameter having a maximum limit equal to that of the full diameter body and a minimum limit equal to the minimum pitch diameter of the thread as given in the dimensional tables.

**2.3.3 Swell or Fin.** A swell or fin under the head or under corners of square neck shall be permissible, provided it does not affect serviceability, nor exceed the basic bolt diameter by more than the following:

- (a) 0.030 in. for sizes up to and including  $\frac{1}{2}$  in.
- (b) 0.050 in. for sizes over  $\frac{1}{2}$  in. to  $\frac{3}{4}$  in., inclusive
- (c) 0.063 in. for sizes over  $\frac{3}{4}$  in. to  $1\frac{1}{4}$  in., inclusive
- (d) 0.093 in. for sizes over  $1\frac{1}{4}$  in.